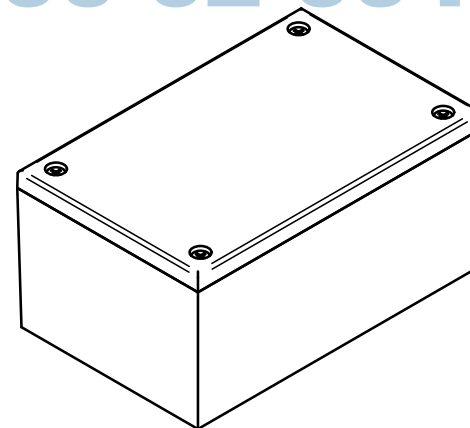
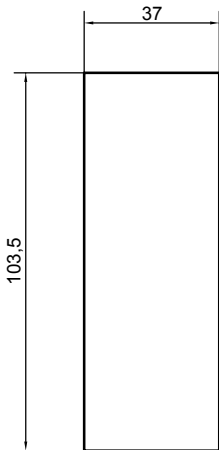


PCB MAX SIZE



www.teko-hungary.com
TEKO
 elektronika
 Tel.: +36 62 554-600

	Denomination	Assembly CP/2		Part. Number	CP/2
	Subject to technical modification without prior notice. Tipographical and other errors do not justify any claim for damages. All dimensions should be verified using an actual moulded part.				
	This document contains proprietary information TEKO S.p.a. and is tendered subject to the conditions that the information be retained in confidence not be reproduced or copied and not be used or incorporated in any product.				
	Rev. Index	Date	Scale	Format design	
		14/12/2005		A2	