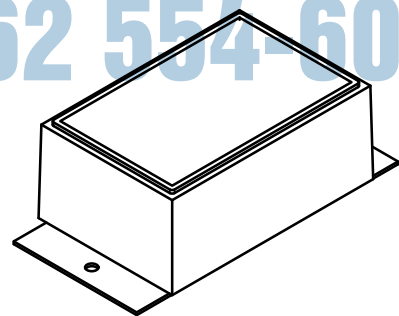
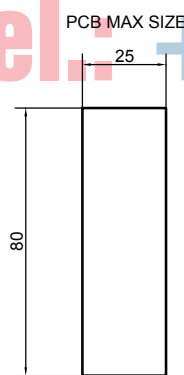

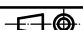


www.elektrotehnika.com
 Tel: +36 62 554-600



 ENCLOSURES	Denomination Assembly M1/P	Part. Number M1/P		
	Subject to technical modification without prior notice. Tipographical and other errors do not justify any claim for damages. All dimensions should be verified using an actual moulded part.			Rev. Index Scale
	This document contains proprietary information TEKO S.p.a. and is tendered subject to the conditions that the information be retained in confidence not be reproduced or copied and not be used or incorporated in any product.		Date 14/12/2005	Formal design A2