

A

**Part front panels**

B

**Part front panels with aluminium handle and bracket**

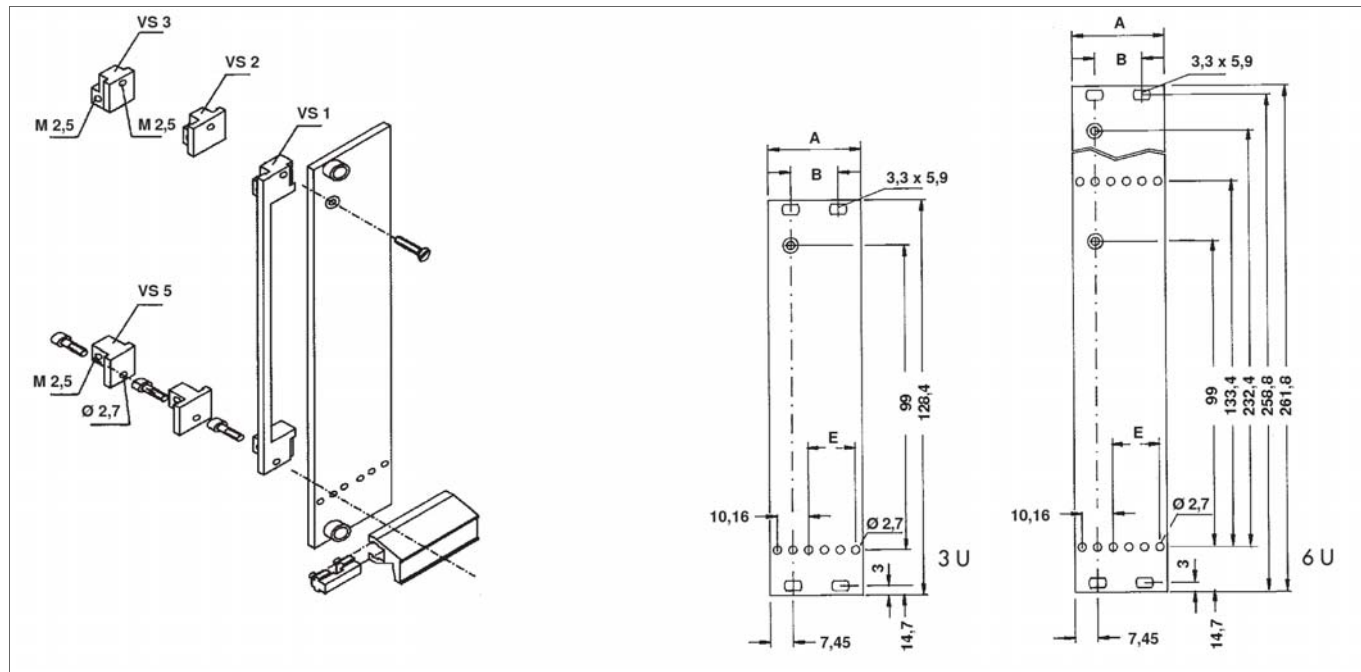
- part front panels clear anodised
- **HP** = width unit = 5.08
- **U** = heights unit = 44.45
- PCB holder **VS ...** → N 63
- part front panel incl. mounting material

C

D

E

F



G

H

I

K

art. no.	HP	dim. [mm]		
		A	B	E
<b>TFP AG ... 3 ...</b>	3	14.9	-	-
<b>TFP AG ... 4 ...</b>	4	20.0	-	5.08
<b>TFP AG ... 5 ...</b>	5	25.1	-	10.16
<b>TFP AG ... 6 ...</b>	6	30.2	-	15.24
<b>TFP AG ... 7 ...</b>	7	35.3	-	20.32
<b>TFP AG ... 8 ...</b>	8	40.3	-	25.40
<b>TFP AG ... 9 ...</b>	9	45.4	-	30.50
<b>TFP AG ... 10 ...</b>	10	50.5	35.6	35.60
<b>TFP AG ... 12 ...</b>	12	60.7	45.7	45.70
<b>TFP AG ... 14 ...</b>	14	70.8	55.9	55.90
<b>TFP AG ... 16 ...</b>	16	81.0	66.0	66.00
<b>TFP AG ... 18 ...</b>	18	91.1	76.2	76.20
<b>TFP AG ... 20 ...</b>	20	101.3	86.4	86.40
<b>TFP AG ... 21 ...</b>	21	106.4	91.4	91.40
<b>TFP AG ... 24 ...</b>	24	121.6	106.7	106.70
<b>TFP AG ... 28 ...</b>	28	141.9	127.0	127.00

please indicate:

... PCB holder

**VS 1** =for 3 U Eurocards

**VS 2** =for PCBs in any size

**VS 35**=(**VS 3**/**VS 5**) with **M 2.5** threads for front panel and circuit board mounting

... metal nipples (optional)

**MN 2**=press-in

... height unit

**3**=3 U

**6**=6 U

L

M

**N 55**

Part front panels with handle → N 53  
 Part front panels with PCB holder → N 54 - 55  
 Part front panels with SMD-brackets → N 57  
 Insert modules → N 36 - 47

Handles for part front panels → N 61  
 Extractor for part front panels → N 60  
 Profiles for 19" front panels → N 72 - 73

N