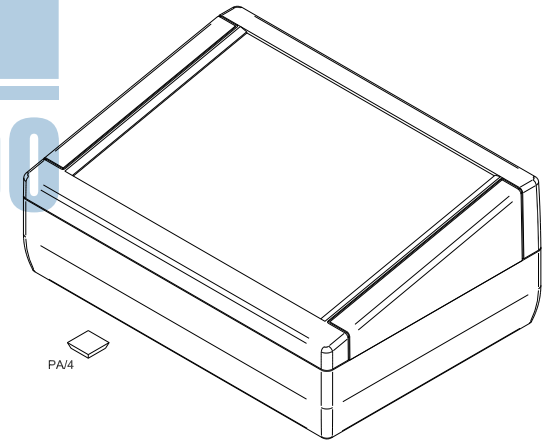
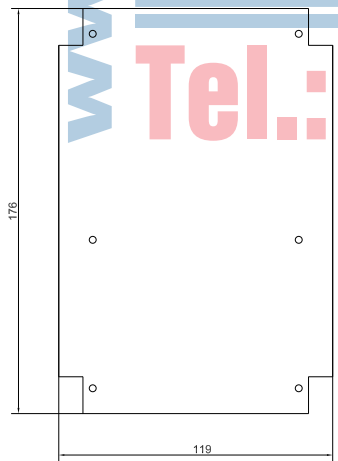


MAXIMUM PCB SIZE



www.rete.hu
eletronika
Tel.: +36 62 554-600

	Designation	Assembly TK33SP	Part Number	TK33SP
	<small>Subject to technical modification without prior notice. Typographical and other errors do not justify any claim for damages. All dimensions should be verified using an actual moulded part.</small>			
<small>This document contains proprietary information of TEKO S.p.A. and is licensed subject to the conditions that the information be released in confidence not be reproduced or copied and not be used or incorporated in any product.</small>				Date 25/05/2005 Format/size A1