

TMM

TMM Series
1.27mm pitch



X	-X	-XX	-X
---	----	-----	----

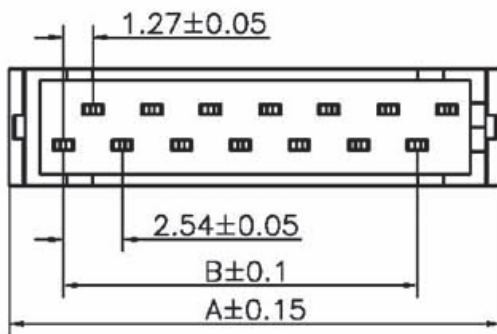
- Type**
- 1=IDC Male
 - 2=IDC Transition Plug
 - 3=DIP Male Straight
 - 4=DIP Female Straight
 - 5=DIP Female R/A
 - 6=SMT Female Straight

- Locking**
- L= with Lock
 - 0= w/o Lock

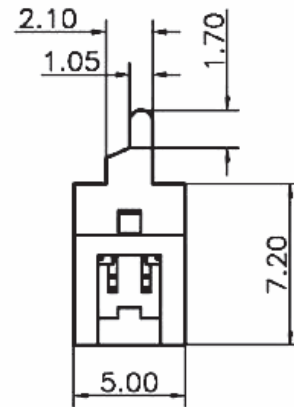
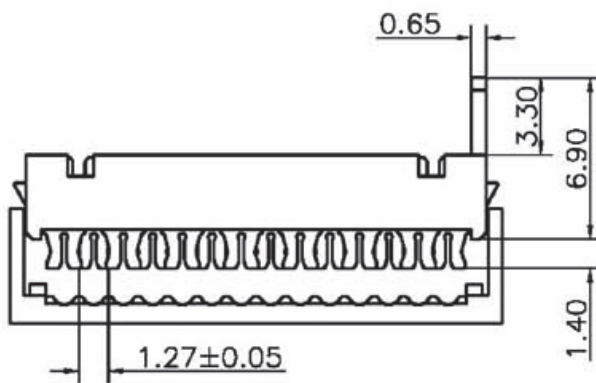
- No. of Positions**
- 04= 04 Positions
 - :
 - :
 - 26= 26 Positions

- Packaging**
- 1= Tape&Reel+cap
 - 2= Tube
 - 3= Bag
 - 4= Tape&Reel w/o cap

TMM-1
(IDC Male)



Circuits	Dimension	
	A	B
4	8.45	2.54
6	10.99	5.08
8	13.53	7.62
10	16.07	10.16
12	18.61	12.70
14	21.15	15.24
16	23.69	17.78
18	26.23	20.32
20	28.77	22.86
22	31.31	25.40
24	33.85	27.94
26	36.39	30.48



General Specification

<p>Materials and Finish :</p> <p>Insulator: Themoplastic, UL 94V-0, Color in Red Contact : Phosphor Bronze, Tin plated.</p>	<p>Electrical :</p> <p>Contact Resistance: 20 mΩ max. at 1A DC Insulation Resistance: 1000 MΩ min, at 500 V/DC. Dielectric Withstanding Voltage : 500 V AC/RMS 60Hz for one minute. Current Rating : 1.5A max, Voltage Rating : 230V AC/RMS 60Hz, DC</p>	<p>Environment:</p> <p>Operating Temperature: -40 degree C to +105 degree C</p>
---	--	---