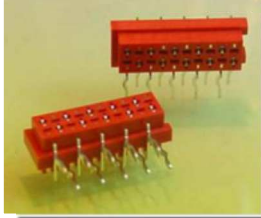


TMM

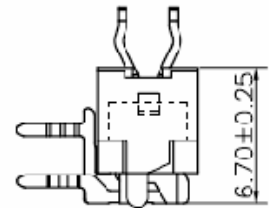
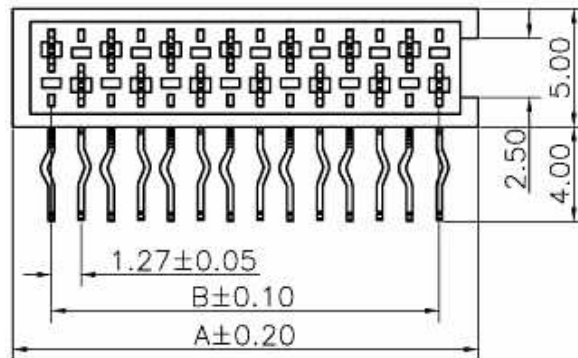
TMM Series
1.27mm pitch



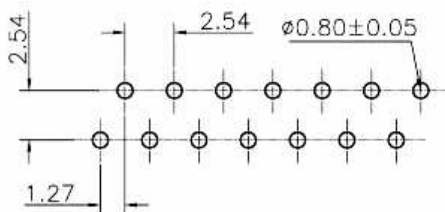
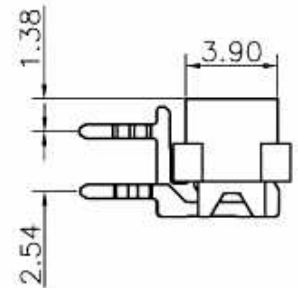
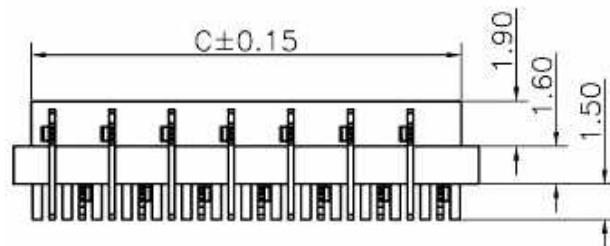
X	-X	-XX	-X
Type 1=IDC Male 2=IDC Transition Plug 3=DIP Male Straight 4=DIP Female Straight 5=DIP Female R/A 6=SMT Female Straight	Locking L= with Lock 0= w/o Lock	No. of Positions 04= 04 Positions : : 26= 26 Positions	Packaging 1= Tape&Reel+cap 2= Tube 3= Bag 4= Tape&Reel w/o cap

TMM-5-0

(Dip Female R/A)



Mating Height Draw.



PCB Layout

Pos	A	B	C	Pos	A	B	C
4	7.00	3.81	5.60	16	22.24	19.05	20.84
6	9.54	6.35	8.14	18	24.78	21.59	23.38
8	12.08	8.89	10.68	20	27.32	24.13	25.92
10	14.62	11.43	13.22	22	29.86	26.67	28.46
12	17.16	13.97	15.76	24	32.40	29.21	31.00
14	19.70	16.51	18.30	26	34.94	31.75	33.54

General Specification

Materials and Finish :

Insulator: Glass-reinforce thermo plastic, UL 94V-0, Nylon, Color in Red.

Contact : Phosphor Bronze, Tin plated.

Electrical :

Contact Resistance: 20 mΩ max. at 1A DC

Insulation Resistance: 1000 MΩ min, at 500 V/DC.

Dielectric Withstanding Voltage : 500 V AC/RMS 60Hz for one minute.

Current Rating : 1.5A max

Voltage Rating : 230V AC/RMS 60Hz, DC

Environment :

Operating Temperature: -40 degree C to +105 degree C