

# Series 970

SPECIFICATIONS

技術資料

## Tact Switch



970-001-00



970-001-30

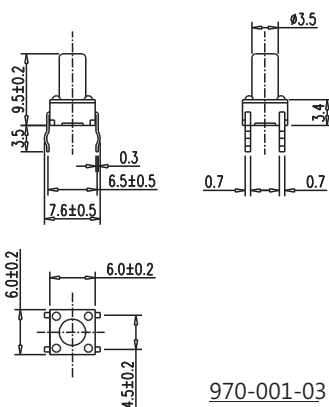


970-101-01

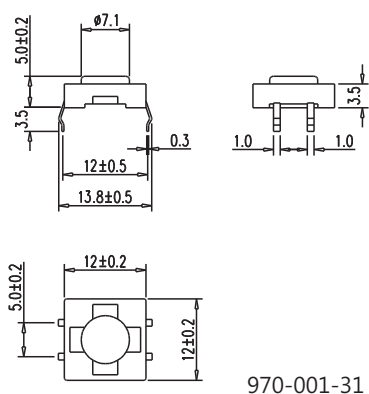


970-011-32

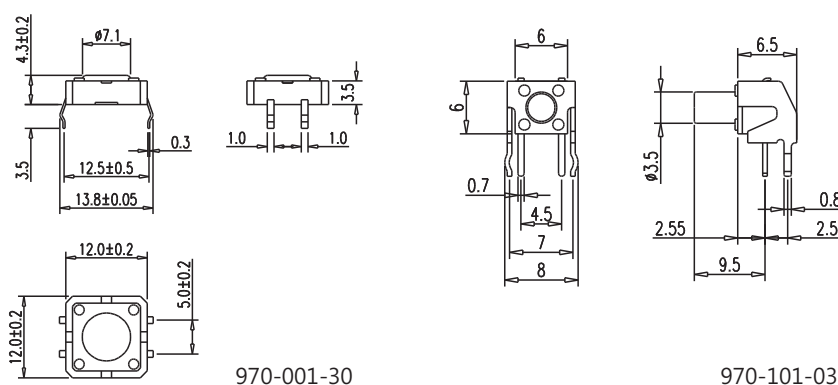
### SERIES 970



970-001-03



970-001-31



970-001-30

970-101-03

Unit = mm

## FEATURES

Sharp click feel with a positive tactile feedback. Insert molding in the contact prevents flux.

Build-up during soldering and permits auto-dipping.

Snup-in type, can be mounted directly on P.C. Board.

Part of output terminals can be used as jumper Lead, thus making circuit arrangement easy.

Available the recommended P.C. Board thickness is 1.6mm, the models which can be mounted on P.C. boards of 0.8 - 1mm thick are also available upon request.

## APPLICATIONS

Operating switches in all types of electronic equipment such as audio apparatus. Office equipments, communications apparatus, measuring instruments, TV sets, VCRs, etc.

### Operating Characteristics

	6.2x6.2	6x6	10x10	12x12
Service Life	1x10 <sup>5</sup>	1x10 <sup>5</sup>	1x10 <sup>5</sup>	3x10 <sup>5</sup>
OF(g)	130±30	125±25	160±30	125±25
RF min. (g)	30	20	20	30
PT (min)	0.25±0.1	0.25±0.2/-0.1	0.3±0.2/-0.1	0.3±0.2/-0.1

### Specification

Switching Capacity	50mA 12V DC (Resistive Load)	50mA 20V DC (Resistive Load)
Min. Permissible Load	1mA 12V DC (Resistive Load)	1mA 5V DC (Resistive Load)
Contact Resistance	50m Ω Max.	100m Ω Max.
Insulation Resistance	100m Ω Min. At 250V DC	100m Ω Min. At 250V DC
Dielectric Strength	500V AC, 50/60 Hz For 1 Minute	500V AC, 50/60 Hz For 1 Minute
Bounce Time	5m Sec. Max.	5m Sec. Max.
Ambient Temperature	-20°C to +70°C	-20°C to +70°C
Humidity	35% to 85% RH	35% to 85% RH

## HOW TO ORDER 排序整理

Series No. 系列編號	Frame Type	Plunger Type	Ground Terminal	Dimensions	Switch Height
9	0 Vertical	0 Flat	1 Not Provided	0 6x6	0 4.3mm
7	1 Horizontal	1 Projected	2 Provided	3 12x12	1 5mm
0					2 7.3mm
-					3 9.5mm
X					4 15mm
X					5 12.5mm
-					
X					
X					