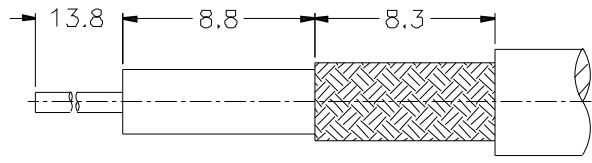
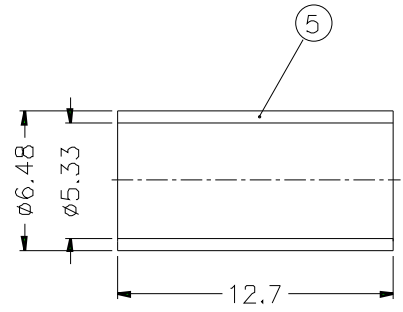
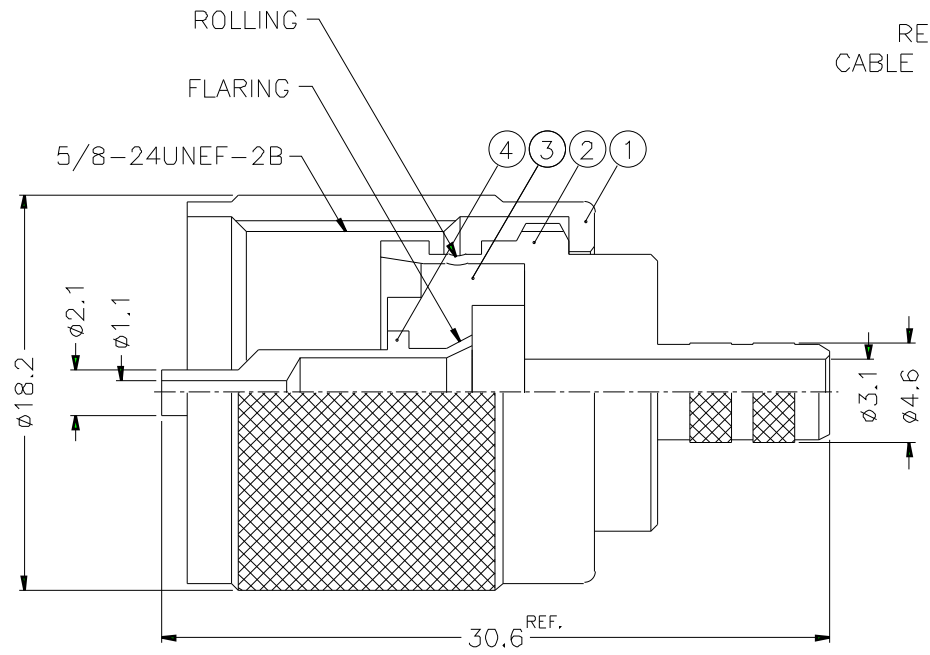


1	2		3	4	5	6	7	8
REVISIONS								
ISS	ZONE	DESCRIPTION\PER REQUEST\DATE						



RECOMMENDED
CABLE STRIPPING DIM'S



- 1. CRIMPED FERRULE
HEX CRIMP SIZE .213"
- 2. CRIMPED CONTACT PIN
HEX CRIMP SIZE .068"

NOTES: FINISH (PLATING THICKNESS IN MICRO-INCHES)
 1. BRASS PER QQ-B-626
 2. NICKEL PL. 100 MIN. THICK OVER COPPER STRIKE
 3. SILVER PL. 200 MIN. THICK OVER COPPER STRIKE
 4. PHENOLIC, YELLOW PER PANTONE 110C

DIMENSIONS ARE IN MILLIMETERS				PART NO. U1121A1-NPHS-1-50	
UNLESS OTHERWISE SPECIFIED TOLERANCES 0.5-6 = ±0.2 6-30 = ±0.4 30-120 = ±0.6 120-315 = ±1 315-1000 = ±1.6 1000-2000 = ±2.4				APPROVED	DATE 10-11-01'
				CHECKED	DATE 10-11-01'
				DRAWN	DATE 10-11-01'
				SCALE 3/1	ISSUE A

Amphenol

TITLE
UHF CRIMP PLUG

DRAWING NO.
KJ-U1121A1-NPHS-58CU-50

ITEM NO.

5	FERRULE	COPPER	NOTE 2	1	FR-648/533X 127C
4	CONTACT PIN	NOTE 1	NOTE 3	1	U5000-4-21/11
3	INSULATOR	NOTE 4	NOTE 4	1	U5290-3PHE-50
2	BODY	NOTE 1	NOTE 2	1	U5000-2-46/31
1	SHELL	NOTE 1	NOTE 2	1	U5000-1
NO.	DESCRIPTION	MATERIAL	FINISH	Q'TY	DRAWING NO.