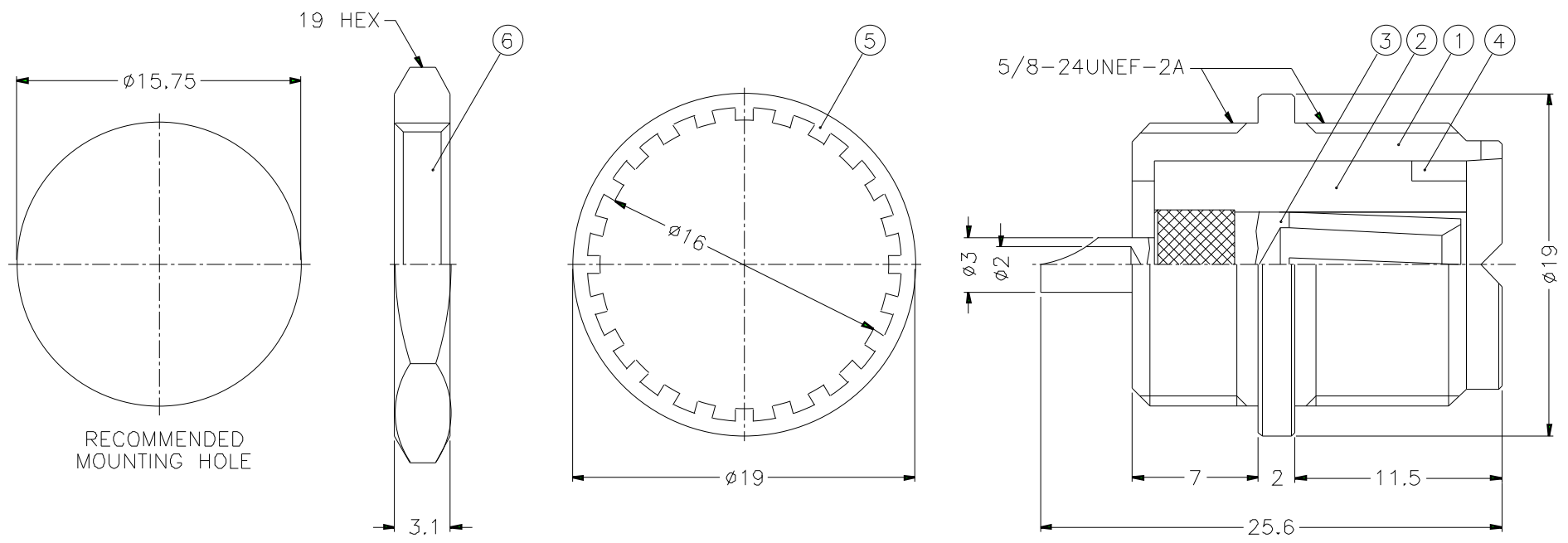


1			2			3			4			5			6			7			8		
REVISIONS																							
ISS	ZONE	DESCRIPTION\PER REQUEST\DATE																					
REMARK: CONTACT PIN TO WITHSTAND 4 INCH-OUNCE RADIAL FORCE.																							



NOTES: FINISH (PLATING THICKNESS IN MICRO-INCHES)
 1. BRASS PER QQ-B-626
 2. BRASS PER QQ-B-613
 3. NICKEL PL. 100 MIN. THICK OVER COPPER STRIKE
 4. TEFLON MIL-P-19468

DIMENSIONS ARE IN MILLIMETERS										PART NO. U6451A1-NTN		<h1>Amphenol</h1> <p>TITLE UHF BULKHEAD RECEPT. JACK</p> <p>DRAWING NO. KJ-U6451A1-NTN</p> <p>ITEM NO.</p>			
UNLESS OTHERWISE SPECIFIED TOLERANCES										APPROVED				DATE	
0.5-6 = ± 0.2														10-11-01'	
6-30 = ± 0.4										CHECKED				DATE	
30-120 = ± 0.6												10-11-01'			
120-315 = ± 1										DRAWN		DATE			
315-1000 = ± 1.6												10-11-01'			
1000-2000 = ± 2.4										FILE NO.					

6	HEX NUT	NOTE 1	NOTE 3	1	HN19-5/8-24X31
5	LOCK WASHER	NOTE 2	NOTE 3	1	LW-19/16X06
4	RING	NOTE 1	NOTE 3	1	U7900-4
3	CONTACT PIN	NOTE 1	NOTE 3	1	U6451A1-002-3
2	INSULATOR	NOTE 4	NATURAL	1	U6451A1-002-2
1	BODY	NOTE 1	NOTE 3	1	U6451A1-002-1
NO.	DESCRIPTION	MATERIAL	FINISH	Q'TY	DRAWING NO.