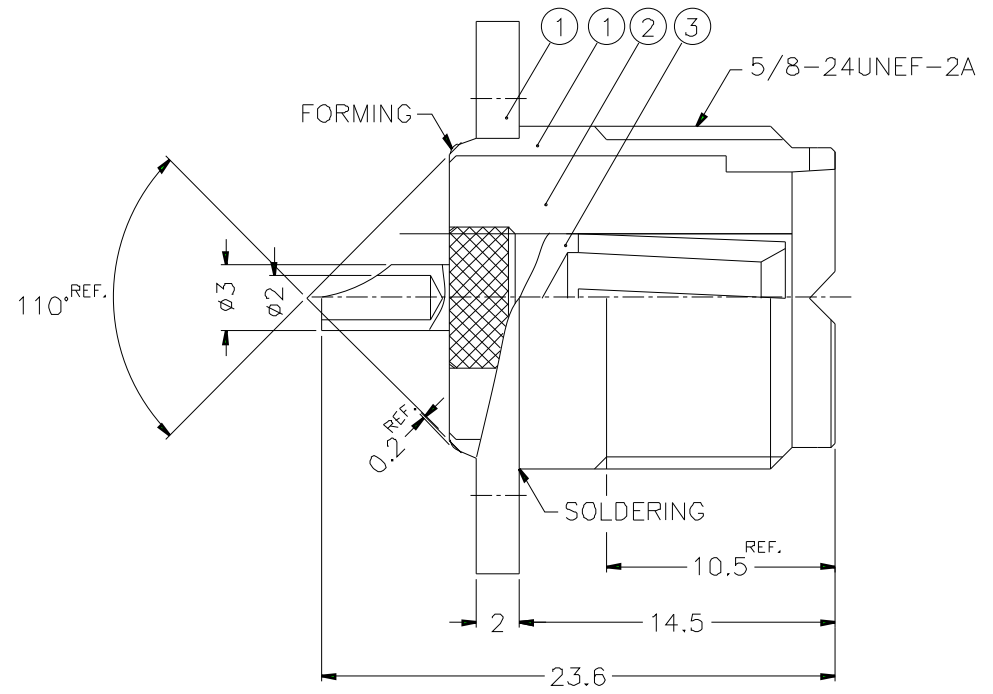
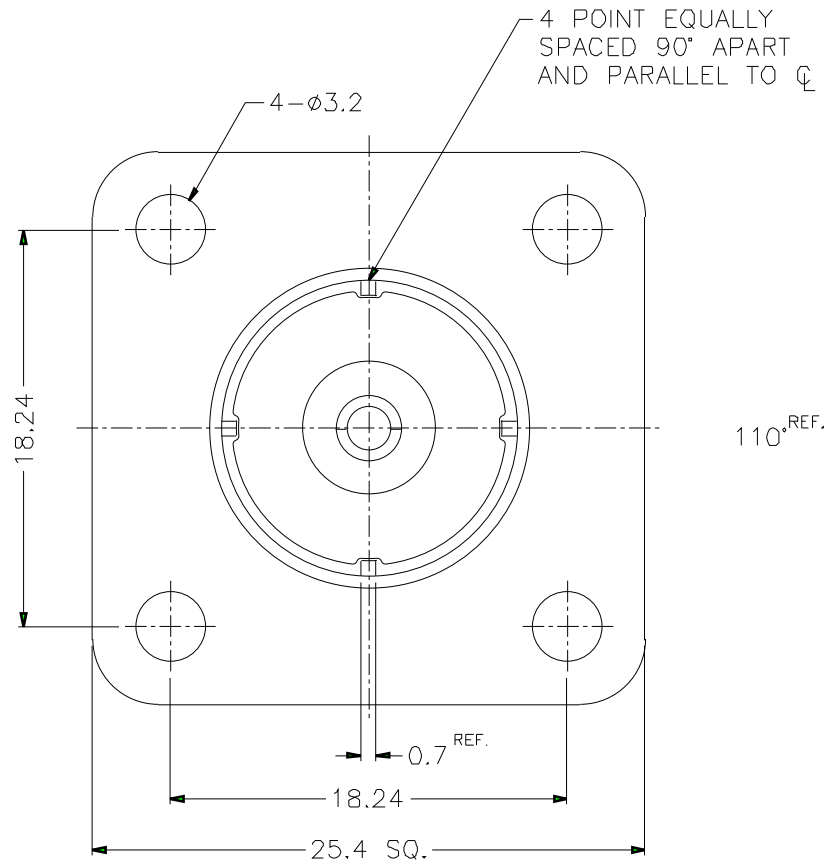


1		2		3		4		5		6		7		8	
REVISIONS															
ISS	ZONE	DESCRIPTION\PER REQUEST\DATE													

REMARK: CONTACT PIN TO WITHSTAND 4 INCH-OUNCE RADIAL FORCE.



- NOTES: FINISH (PLATING THICKNESS IN MICRO-INCHES)
1. BRASS PER QQ-B-626
 2. NICKEL PL. 100 MIN. THICK OVER COPPER STRIKE
 3. TEFLON MIL-P-19468
 4. BRIGHT TIN PL. 200 MIN. THICK OVER NICKEL PL. 50 MIN. THICK OVER COPPER PL. 100 MIN. THICK

DIMENSIONS ARE IN MILLIMETERS			
UNLESS OTHERWISE SPECIFIED TOLERANCES			
0.5-6	= ±0.2		
6-30	= ±0.4		
30-120	= ±0.6		
120-315	= ±1		
315-1000	= ±1.6		
1000-2000	= ±2.4		

PART NO.	U6551A1-NTT-50		
APPROVED	DATE	10-11-01'	
CHECKED	DATE	10-11-01'	
DRAWN	DATE	10-11-01'	
FILE NO.			

Amphenol	
TITLE UHF PANEL RECEPT. JACK	
DRAWING NO. KJ-U6551A1-NTT-50	
ITEM NO.	

3	CONTACT PIN	NOTE 1	NOTE 4	1	U6551A1-3
2	INSULATOR	NOTE 3	NATURAL	1	U6551A1-2T-50
1	BODY WITH PANEL	NOTE 1	NOTE 2	1	U6551A1-1S
NO.	DESCRIPTION	MATERIAL	FINISH	Q'TY	DRAWING NO.

1	2	3	4	5	6	7	8
---	---	---	---	---	---	---	---