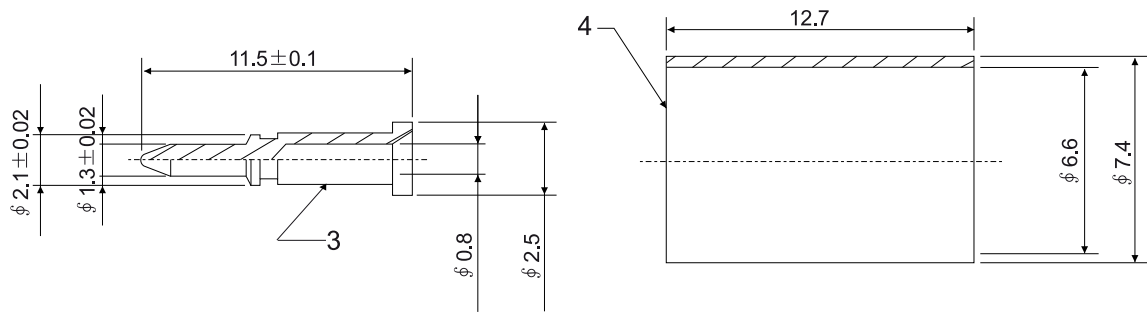
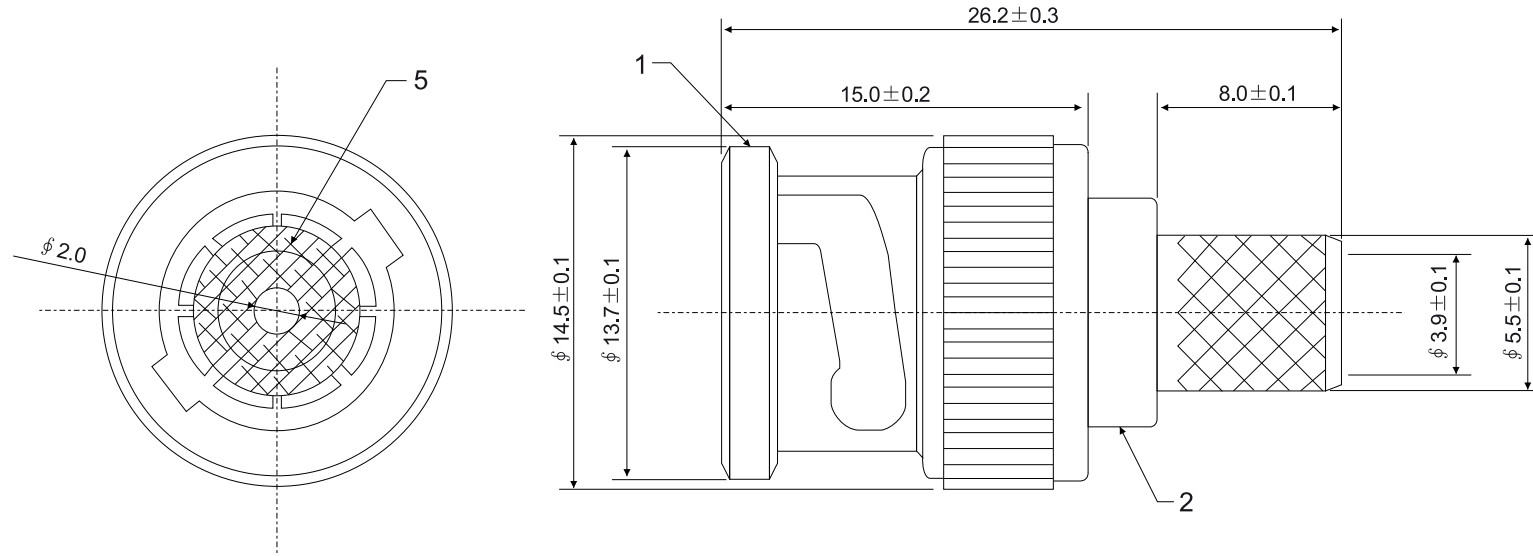


REV	DESCRIPTION	APPROVAL	DATE
φ	新制定		07.01.09



5	INSULATOR	POM
4	COPPER TUBE	Cu
3	PIN	Cu
2	BODY	Zn
1	SHELL	Zn
ITEM	DESIGNATION	MATERIAL

ROHS COMPLIANT

TOLERANCE	
0-10	±0.05
10-100	±0.5
100-1000	±10.0
1000-10000	±100.00
10000-100000	±1000.00

				DRAWN BY	TOMMY
				CHECKED	
TITLE:		BNC MALE CRIMP TYPE		APPROVED	
PART NO:		BM02N0411E-59		DRAW NO	
File Number:				UNIT	mm
SCALE	/	REV	φ		