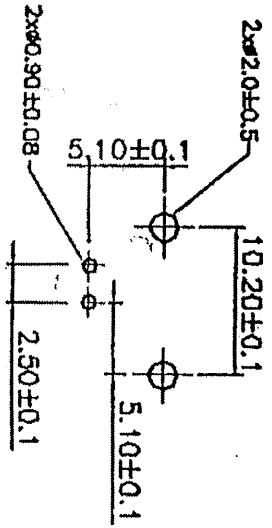
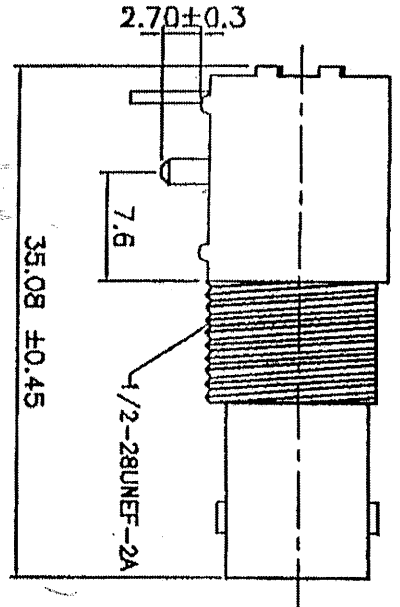
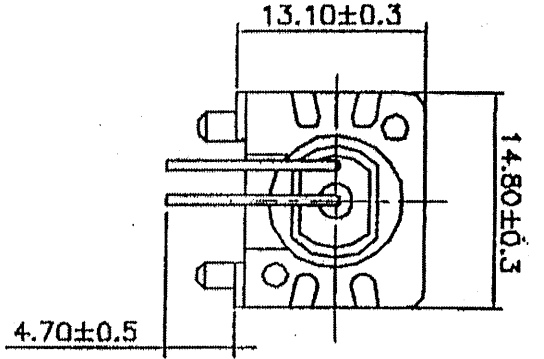
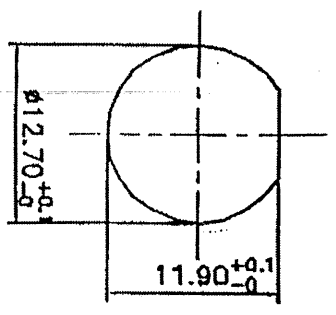


1

B. 94PCBI



RECOMMENDED PCB HOLE



RECOMMENDED PANEL HOLE

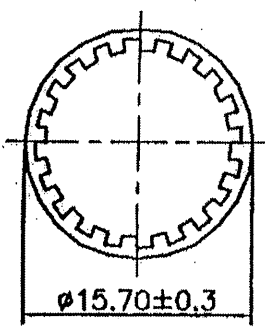
- Notes:
1. Nominal Impedance: 50 Ohms
 2. Frequency Range: 0-4 GHz
 3. Max Peak Voltage: 500V
 4. Insulation Resistance: 5000 Megohms Min.
 5. Dielectric Withstanding Voltage: 1500 Volts RMS

Description	Material	Finished
1. Post	Brass	Tin
Housing	PBT+30% C.F.	None
Body	Zinc Alloy	Nickel
Insulator	P.P.	None
GND	Cu Covered Steel	Tin
Contact	P. Bronze	Gold&Tin
2. Lock Washer	SK-5	Nickel
3. Nut	Brass	Nickel

Dimensions Are In Millimeters
Unless Otherwise Specified

Tolerances	
0.5-6 =	± 0.2
6-30 =	± 0.4
30-120 =	± 0.6
120-315 =	± 1.0
315-1000 =	± 1.6
1000-2000 =	± 2.4

2



3

