

# UM 32009



Ultramas UM 3...09 (L)  
Enclosure, plain

**Order no.: 55320000**

**Colour of enclosure group**

Light grey, similar to RAL 7035; screw covers, brackets and feet agate grey, similar to RAL 7038; special colours on request

**Protection class**

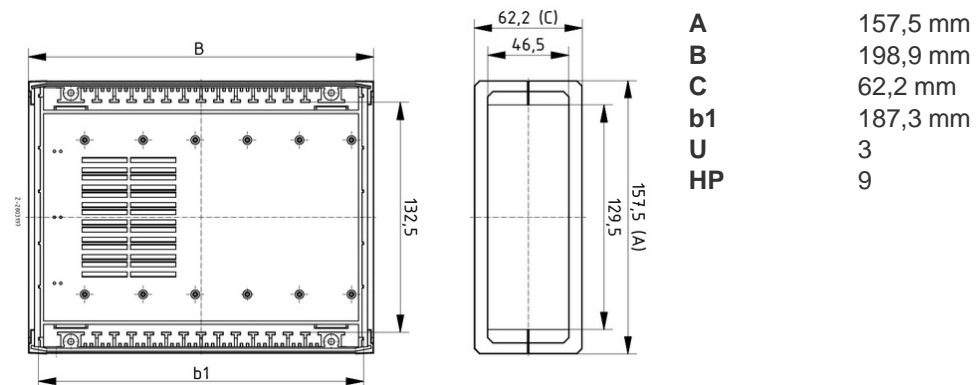
Plain: IP 40/DIN EN 60529; with air vents: IP 30/DIN EN 60529

**Enclosure material**

ABS; for details see Technical Information

Scope of delivery: 2 half-shells, 8 covers, 4 rubber feet, 4 screws

Note: See following pages for accessories.



**Technical drawings**

Catalogue drawing in DXF format:

[55320000\\_UM-32009.dxf](#) (618 KB)

Catalogue drawing in PDF format:

[55320000\\_UM-32009.pdf](#) (60 KB)

3D product data in STEP format:

[Registration necessary](#)

Basic drawing for processing work:

[55320000\\_UM-32009-G.dxf](#) (0.9 MB)

**Chapter download**

[Ultramas\\_GB.pdf](#) (433 KB)

# Accessories



## Tip-up foot set

56012000 [UM-AS](#)



## Tip-up foot set, collapsible

56012100 [UM-ASK](#)



## Wall brackets

56002000 [UM-WLH](#)



## Connection brackets

56002200\* [UM-VHH](#)



## Front panels, natural-coloured anodised aluminium

56030900 [FP 30009](#)

For UM 3..09

56031200 [FP 30012](#)

For UM 3..09 + 1x AB 02.03

56031800 [FP 30018](#)

For UM 3..09 + 1x AB 02.09 (L) and for UMP 32018 (FP)

56032100 [FP 30021](#)

For UM 3..09 + 1x AB 02.03 + 1x AB 02.09 (L)

56032700 [FP 30027](#)

For UM 3..09 + 2x AB 02.09 (L)

56033000 [FP 30030](#)

For UM 3..09 + 1x AB 02.03 + 2x AB 02.09 (L)

56033600 [FP 30036](#)

For UM 3..09 +3x AB 02.09 (L)



## Front panels, ABS, light grey, similar to RAL 7035, embossed on one side

56030910 [FPK 30009](#)

For UM 3..09

56031210 [FPK 30012](#)

For UM 3..09 + 1x AB 02.03

56031810 [FPK 30018](#)

For UM 3..09 + 1x AB 02.09 (L) and for UMP 32018 (FP)

56032110 [FPK 30021](#)

For UM 3..09 + 1x AB 02.03 + 1x AB 02.09 (L)

56032710 [FPK 30027](#)

For UM 3..09 + 2x AB 02.09 (L)

56033010 [FPK 30030](#)

For UM 3..09 + 1x AB 02.03 + 2x AB 02.09 (L)

56033610 [FPK 30036](#)

For UM 3..09 +3x AB 02.09 (L)



**Extension set, plain, with air vents (L), 3 HP / 9 HP**

56020500 [AB 02003](#)

3 HP; For UM 32009(L), 62009(L), 52011(L)\*

56020000 [AB 02009](#)

9 HP; For UM 32009(L), 52011(L), 62009(L)

56020010 [AB 02009 L](#)

9 HP; For UM 32009(L), 52011(L), 62009(L)