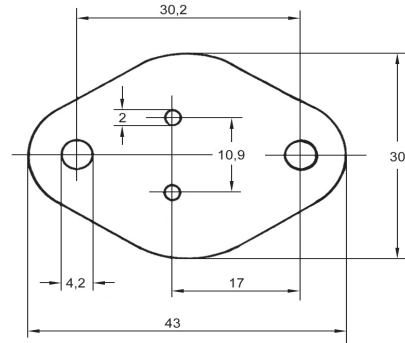


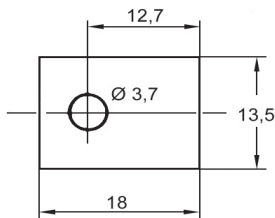
Bestellcode
Ordercode



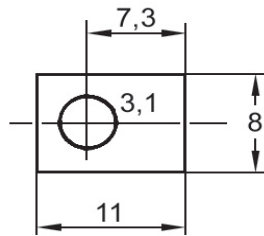
Bestellcode
Ordercode

V 5336

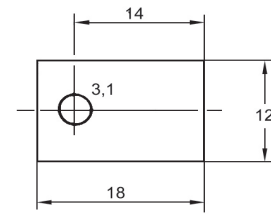
V 5809



Bestellcode
Ordercode



Bestellcode
Ordercode

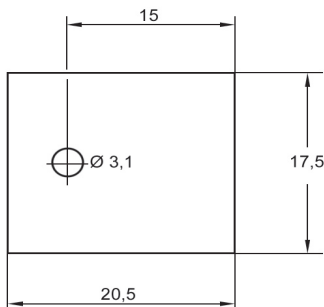


Bestellcode
Ordercode

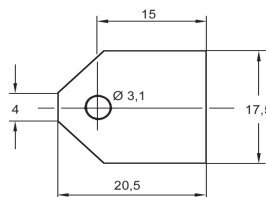
V 5810

V 5730

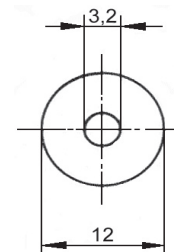
V 5338



Bestellcode
Ordercode



Bestellcode
Ordercode



Bestellcode
Ordercode

V 7387

V 5339

V 5485

Materialstärke: 0.05 mm
Thickness: 0.05 mm

Durchschlagsfestigkeit: ca 2 kV
Dielectric strength: ca 2 kV

Wärmewiderstand: R_{th} mit Wärmeleitpaste
Thermal resistance: R_{th} with thermal compound

Finger-shaped

Attachable

Extruded
with solderpins

Extruded
standard length

Die-cast

Profiles

Mounting
accessories

Distance spacers

Fans