

A

19" plug-in boxes

B

C

D

E

F

G

H

I

K

L

M

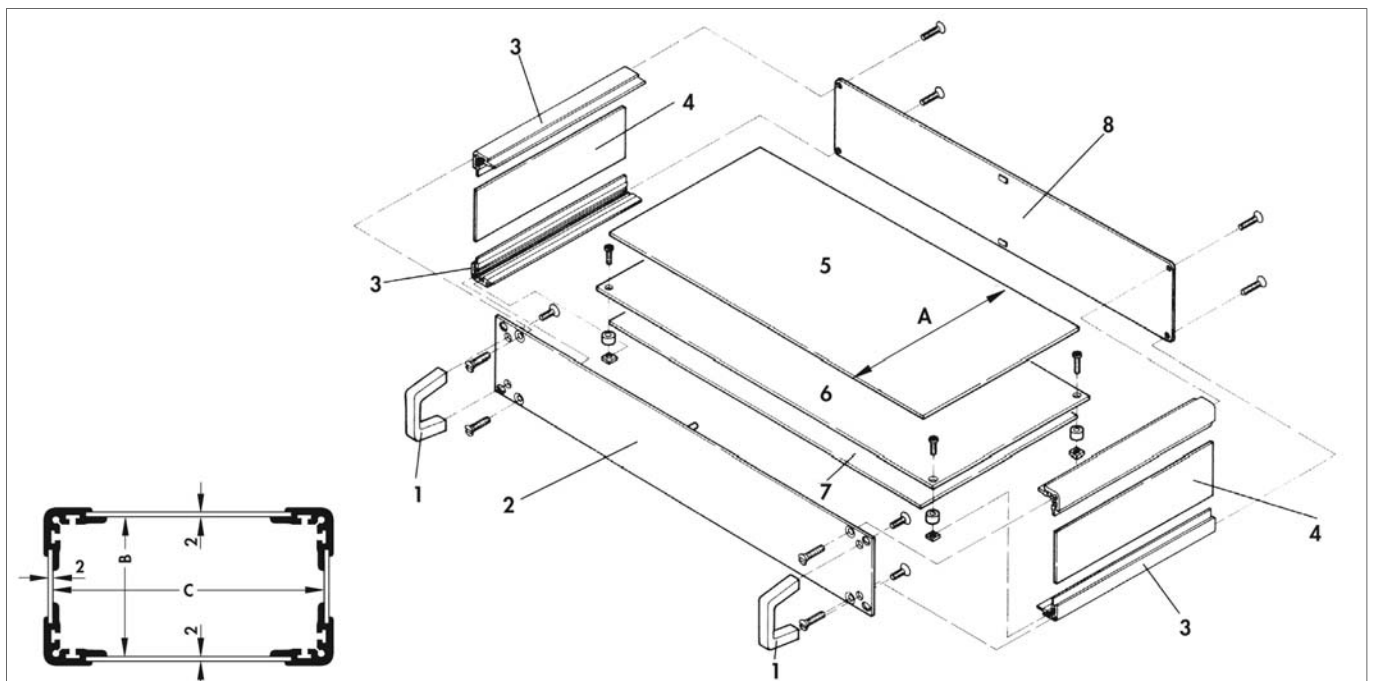
N



- 19" plug-in box **VES** for application of non-standardised components or circuit boards
- side panels in 1 U version made of side panel profile **GB 18**
- side panels in 2-6 U version made of edge profiles **GB 19** with inserted side panels
- sliding-screw channel in the profiles is used for application of the mounting or chassis panel **MPW**; hence no perforation needed in the bottom panel

contents of delivery: front panel, side panels, edge and/or side profiles, rear panel, cover and bottom panel clear anodised

1 = handles; **2** = front panel (4 mm); **3** = edge profile; **4** = side panel; **5** = cover panel; **6** = mounting panel; **7** = bottom panel; **8** = rear panel (2 mm)



art. no.	U	dim. [mm]				art. no.	U	dim. [mm]			
		A	B	C	ET			A	B	C	ET
VES 1 260 ...	1	260	37.2	429.4	262	VES 1 360 ...	1	360	37.2	429.4	362
VES 2 260 ...	2	260	81.7	429.4	262	VES 2 360 ...	2	360	81.7	429.4	362
VES 3 260 ...	3	260	126.1	429.4	262	VES 3 360 ...	3	360	126.1	429.4	362
VES 4 260 ...	4	260	170.6	429.4	262	VES 4 360 ...	4	360	170.6	429.4	362
VES 5 260 ...	5	260	215.0	429.4	262	VES 5 360 ...	5	360	215.0	429.4	362
VES 6 260 ...	6	260	259.5	429.4	262	VES 6 360 ...	6	360	259.5	429.4	362

please indicate:

... accessory (optional)

G = handles

DL=1 cover/bottom panels with ventilation slots; **1** cover/bottom panels without ventilation slots

L =cover and bottom panels with ventilation slots

ET = insert depth

dimensioned drawing of the side panel profile **GB 18/19** → N 71

N 5

19" front panels
19" handles
Profiles for 19" plug-in boxes
Unitized 19" subracks

→ N 67
→ N 68 – 70
→ N 73
→ N 21 – 22

Profiles for 19" front panels
Guide rail
Variable guide rails
Reinforced guide rails

→ N 72 – 73
→ N 27
→ N 28
→ N 28