

ROHS Compliant



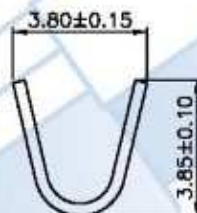
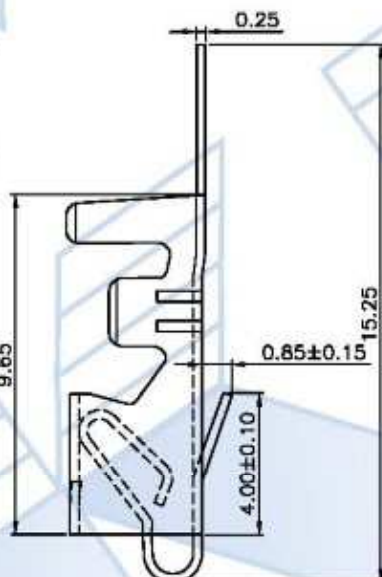
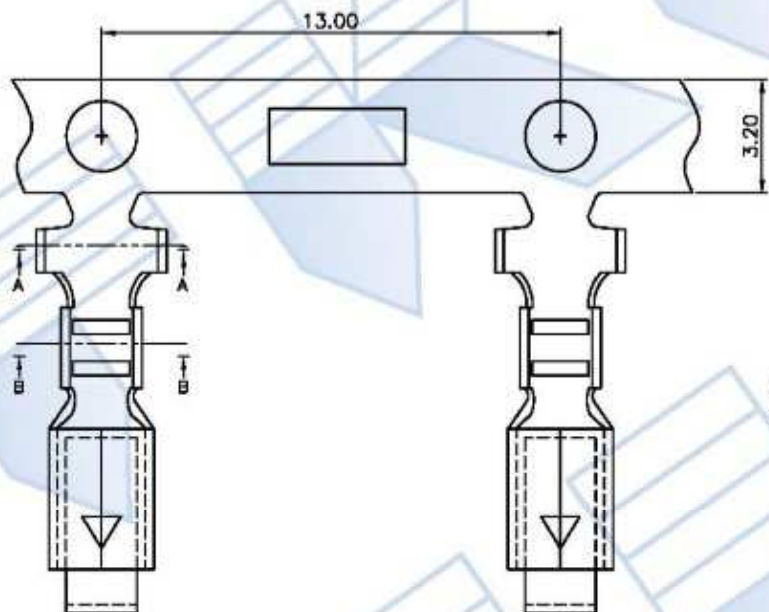
台灣駿品端子股份有限公司

TAIWAN KING PIN TERMINAL CO.,LTD

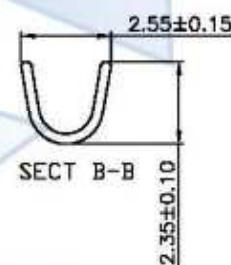
台北縣樹林市俊德街 23 號

TEL:886-2-26895596.26886112 FAX:886-2-26886110

E-mail:info@tkp.com.tw http://www.tkp.com.tw

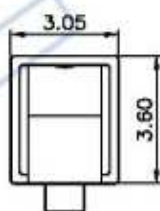
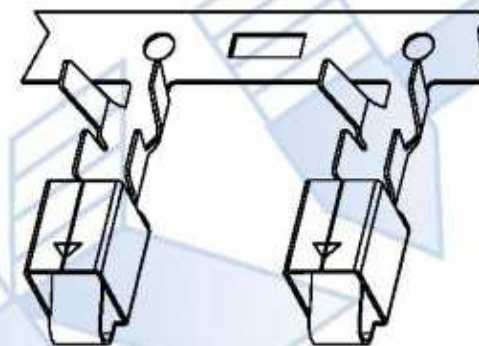


SECT A-A



SECT B-B

- NOTE
- * Material :Brass (Lead Free)
 - * Finish : Plated Tin or Gold over Nickel
 - * Electrical rating : TUV 250V 7A , AC/DC
 - * Applicable wire AWG #22-#16
 - * Used in HVH series housings



PART NO.	VHT-3			Part NO.	Material	Finish	Remark	APPROVAL
TITLE	3.96mm Wire to Board			VHT-3	Brass	Plated Tin over Nickel		DRAWN: 許莨宸
THIRD ANGLE	SCALE	UNIT	SHEET NO	VHT-G	Brass	Plated Gold over Nickel		CHECKED: 張明遠
	3:1	mm	1/1	TOLERANCE	DATE	ODD NUMBERS	REV	APPROVED: 陳泓宇
				.X± 0.30 .XXX±0.10	2021.06.11	TW261	A6	
				.XX± 0.20 ANGLE±2'				