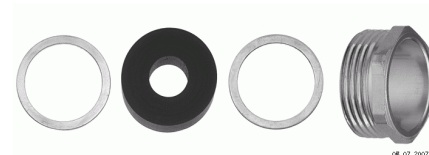


heavy|mate® - C146 Accessories Metal, with variable inner diameter, Gland bushings IP 65 (Attention: not usable for hoods without stud)

Part No. VN16 160 0014 X



Series Heavy duty connectors heavy|mate® - C 146

Subseries Heavy duty connector heavy|mate® - C146 Accessories

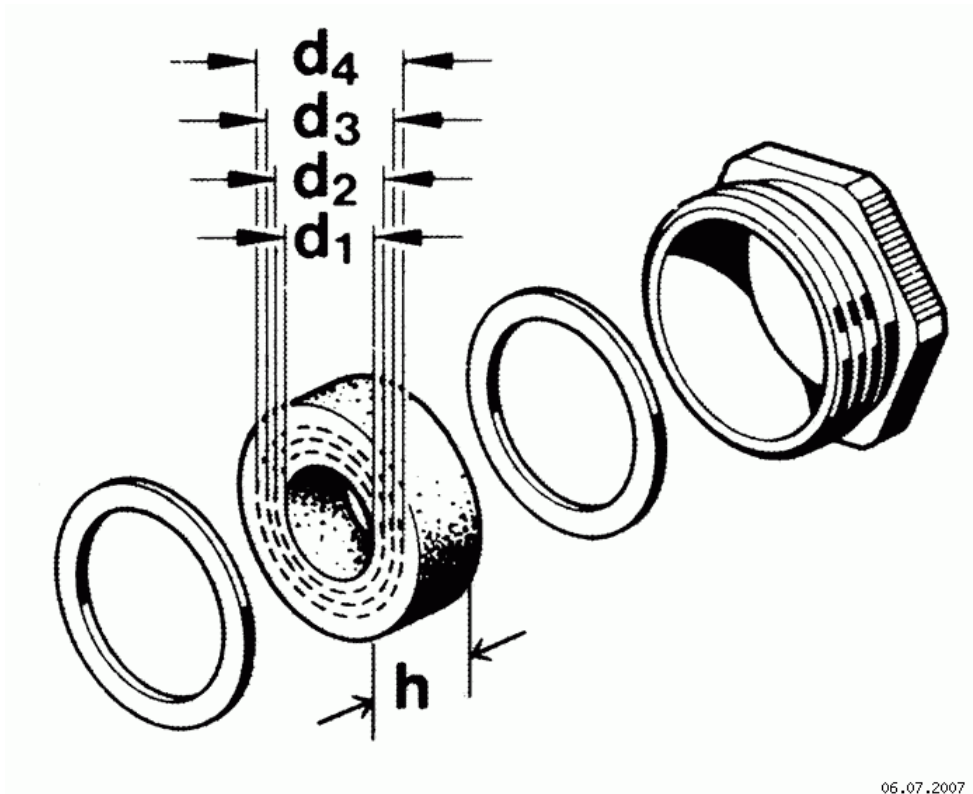
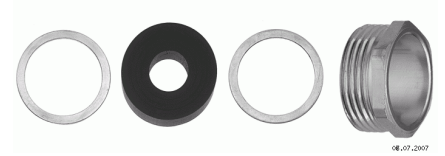
COMMON CHARACTERISTICS		
Thread		PG 16
Packaging / supplied as		10 pcs. per unit
ELECTRICAL CHARACTERISTICS		
Contact resistance	DIN EN 60512-2-1, Test 2a / IEC 60512-2-1, Test 2a	0 m

heavy|mate® - C146 Accessories Metal, with variable inner diameter, Gland bushings IP 65 (Attention: not usable for hoods without stud)

Part No. VN16 160 0014 X

Series Heavy duty connectors heavy|mate® - C 146

Subseries Heavy duty connector heavy|mate® - C146 Accessories



Drawing Dimensions in mm (Inch)