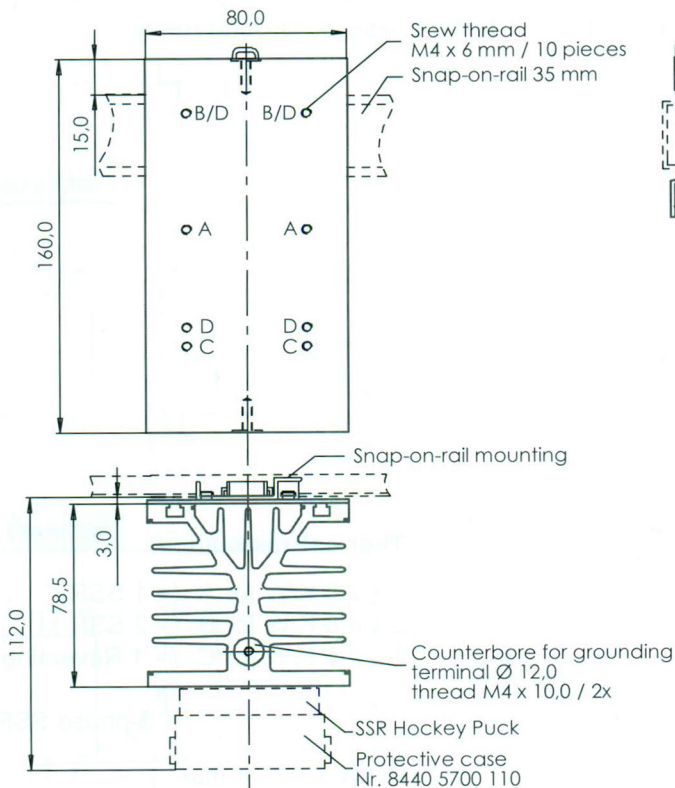


Heat sink WG K3/160

with snap-on-rail mounting for 1, 2 or 3 unit 1-phase Solid State Relays
or 1 unit Reversing Relay or 1 unit 3-phase Solid State Relay



Thermal resistance:

- 1 x 0,9 K/W for A (= 1 SSR)
- 2 x 1,7 K/W for A+B (= 2 SSR's)
- 3 x 2,5 KW for A+B+C (= 3 SSR's)
- 1 x 0,8 K/W for D (= 1 Reversing Relay or 1 3-phase SSR)

Dimensions in mm

Dimension tolerance: $\pm 1,0$ mm

Weight: 1100 g